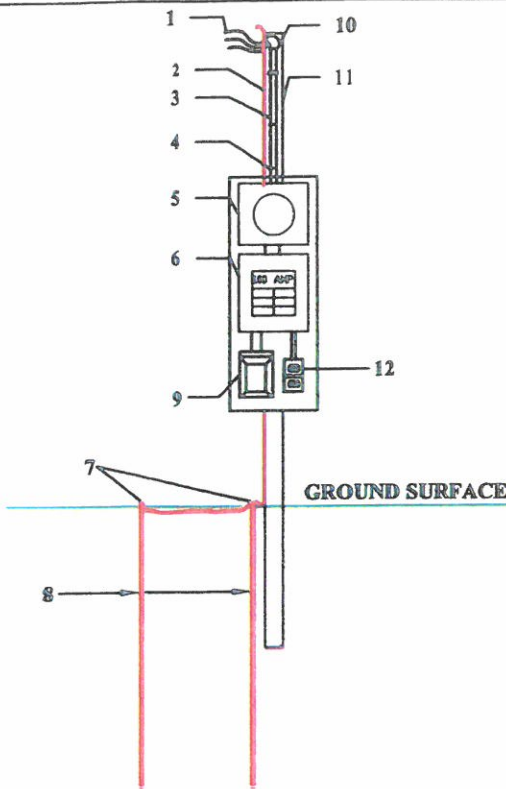


100 AMP CAMPER/RV POLE SERVICE

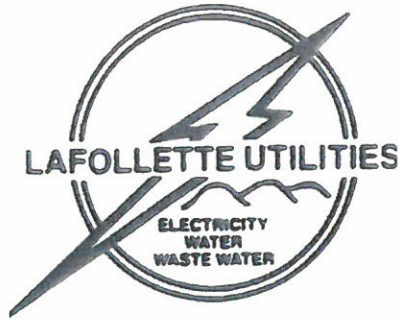


P.O. Box 1411
302 North Tennessee Ave.
LaFollette, TN 37766
(423) 562-3316
1-800-352-1340



* POLE LOCATIONS MUST BE DETERMINED BY LUB ENGINEERING DEPARTMENT. PLEASE CONTACT LUB ENGINEERING DEPARTMENT TO SPOT LOCATION 3 - 5 DAYS IN ADVANCE OF POLE INSTALLATION.

1. 18" TAILS, MARK NEUTRAL WITH WHITE TAPE OR USE WHITE INSULATED WIRE
2, #4 STRANDED COPPER, OR 2, #2 ALUMINUM RHH OR RHW
1, #4 STRANDED COPPER NEUTRAL, OR 1, #2 ALUMINUM RHH OR RHW
2. #4 BARE COPPER GROUND FROM GROUND ROD TO WEATHERHEAD
3. 2" CONDUIT STEEL OR SCHEDULE 80 PVC
4. CONDUIT CLAMP
5. 100 AMP METER BASE
6. 100 AMP MOBILE HOME DISCONNECT PANEL (MUST HAVE PROVISIONS FOR EXTERNAL CIRCUITS)
7. ONE PIECE GROUND ROD CLAMP
8. 2 - 8FT GROUND RODS, MINIMUM OF 6FT APART.
9. 30 AMP OR 50 AMP RV OUTLET WITH BUBBLE COVER AND GFI PROTECTION.
10. WEATHERHEAD
11. 16' OR 20', 6" X 6" (PRESSURE TREATED) POLE
12. ONE 20 AMP GFCI OUTLET WITH BUBBLE COVER.



- **POLE LOCATIONS MUST BE DETERMINED BY LUB ENGINEERING DEPARTMENT.**
Please contact our Engineering Department for assistance on placing your pole in the proper location.
- LaFollette Utilities has issued this as a **guide only**, and assumes no responsibility for poor workmanship or misinterpretation on the part of the customer or the electrical contractor. Some installations may have special requirements. **If you have any questions concerning assembly or wiring, please make arrangements to contact the State Electrical Inspector through our office at 423-562-3316 or 1-800-352-1340.**
- **All wiring must be inspected and passed by the State Electrical Inspector and all fees paid before any construction will occur.**
- The pole must be inspected and passed by the State Electrical Inspector each time the pole is used.
- All camper/rv pole installations must use a **NEW TREATED POLE**.
- Pole must be 6" diameter or larger.
- Pole must be at least 16' long. We recommend a 16' or 20', 6" X 6" (pressure treated) pole from one of the local lumber stores.
- Pole must be 4' in the ground, and there must be 12' of clearance from the ground level to the weatherhead.
- Mix concrete and pour around the base of the pole.